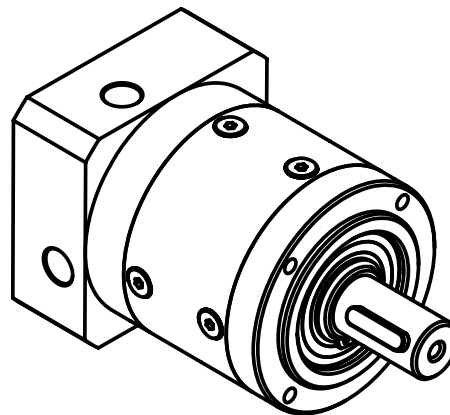


Technical Specification:

- 1- reduction ratio=5
- 2- rated output torque=36N.M
- 3- maximum output torque=72N.M
- 4- rated input speed=4000 rpm
- 5- maximum input speed=8000 rpm
- 6- Backlash: ≤ 12 arcmin
- 7- Running noise: ≤ 58 dB

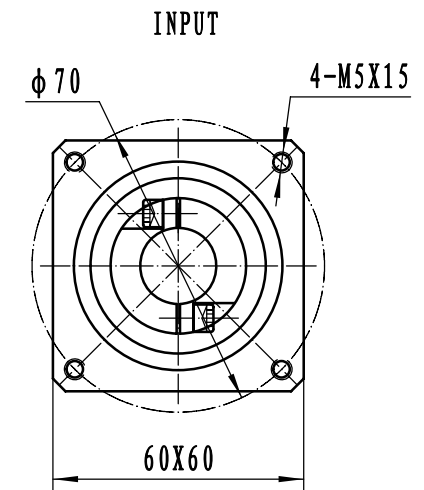
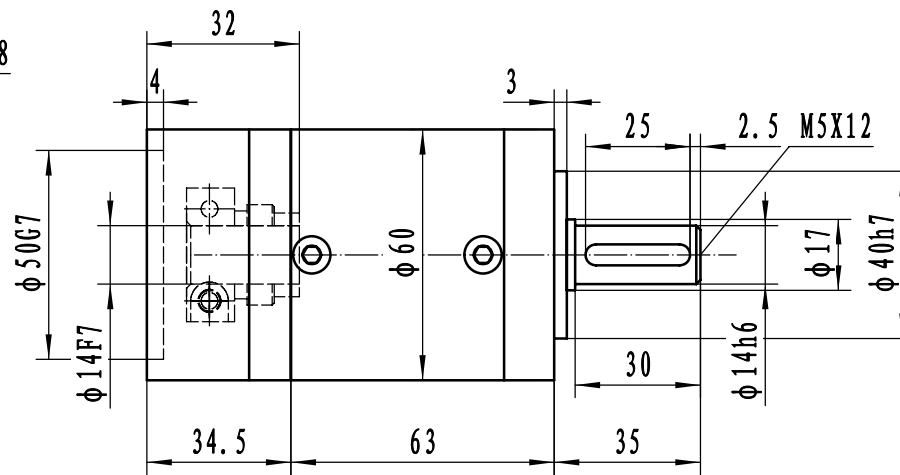
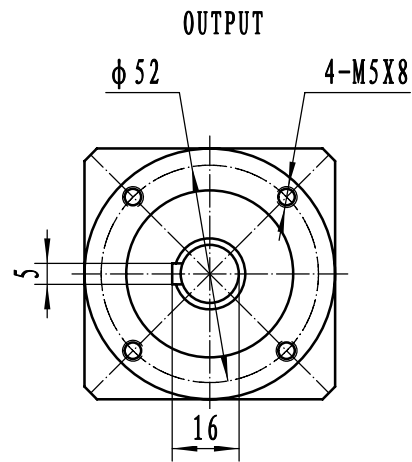


date: Jan2014

Title:
Planetary Gearbox

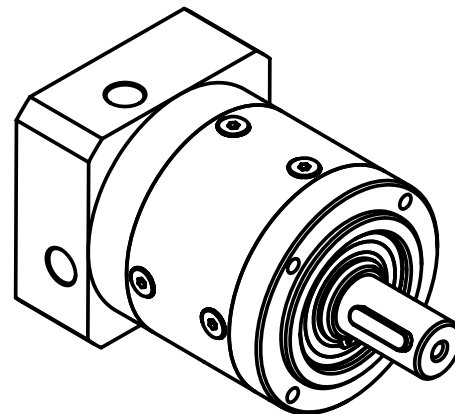
Model:
TPG60-L1-5

SERVO TECH Middle East Co. Ltd.



Technical Specification:

- 1- reduction ratio=12
- 2- rated output torque=40N.M
- 3- maximum output torque=80N.M
- 4- rated input speed=4000 rpm
- 5- maximum input speed=8000 rpm
- 6- Backlash: ≤ 14 arcmin
- 7- Running noise: ≤ 58 dB

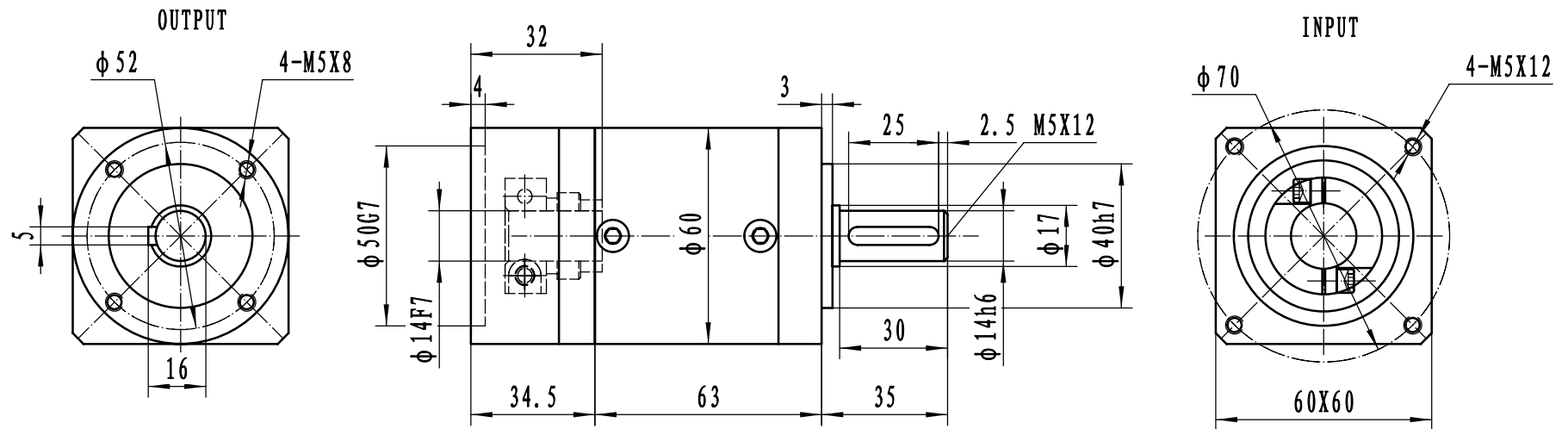


Title:
Planetary Gearbox

Model:
TPG60-L2-12

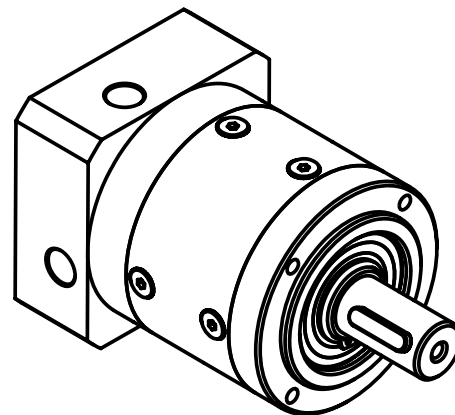
SERVO TECH Middle East Co. Ltd.

date: Jan2014



Technical Specification:

- 1- reduction ratio=16
- 2- rated output torque=40N.M
- 3- maximum output torque=80N.M
- 4- rated input speed=4000 rpm
- 5- maximum input speed=8000 rpm
- 6- Backlash: ≤ 14 arcmin
- 7- Running noise: ≤ 58 dB

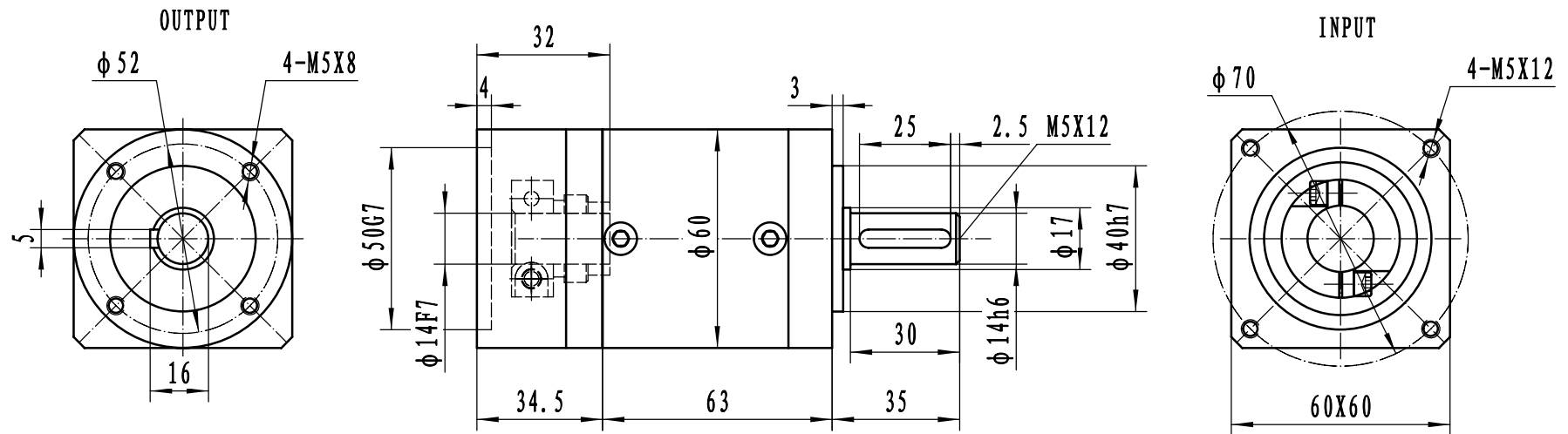


date: Jan2014

Title:
Planetary Gearbox

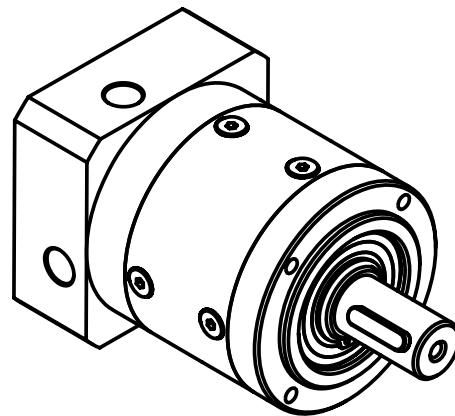
Model:
TPG60-L2-16

SERVO TECH Middle East Co. Ltd.



Technical Specification:

- 1- reduction ratio=20
- 2- rated output torque=40N.M
- 3- maximum output torque=80N.M
- 4- rated input speed=4000 rpm
- 5- maximum input speed=8000 rpm
- 6- Backlash: ≤ 14 arcmin
- 7- Running noise: ≤ 58 dB

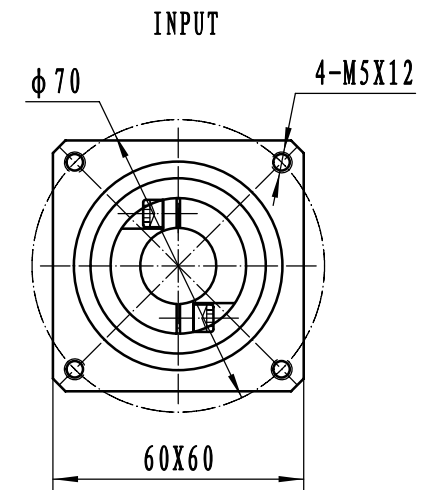
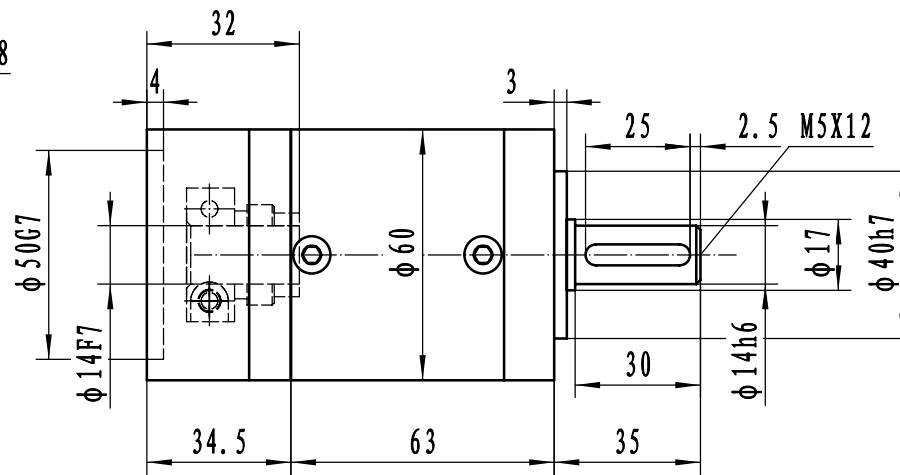
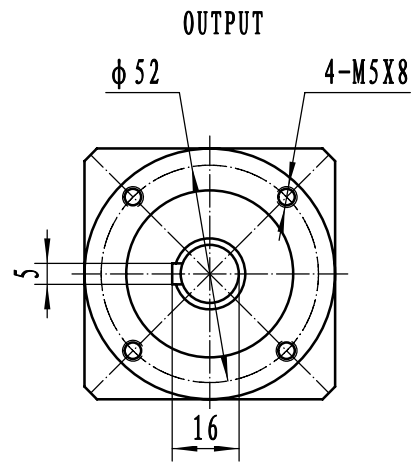


date: Jan2014

Title:
Planetary Gearbox

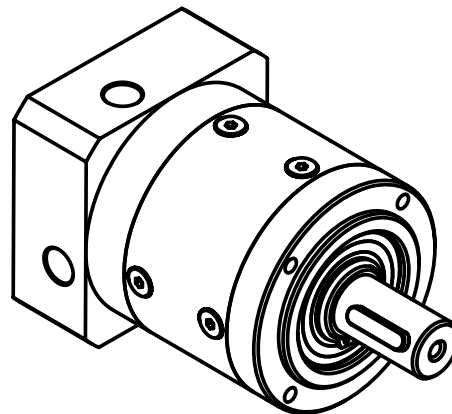
Model:
TPG60-L2-20

SERVO TECH Middle East Co. Ltd.



Technical Specification:

- 1- reduction ratio=25
- 2- rated output torque=36N.M
- 3- maximum output torque=72N.M
- 4- rated input speed=4000 rpm
- 5- maximum input speed=8000 rpm
- 6- Backlash: ≤ 14 arcmin
- 7- Running noise: ≤ 58 dB

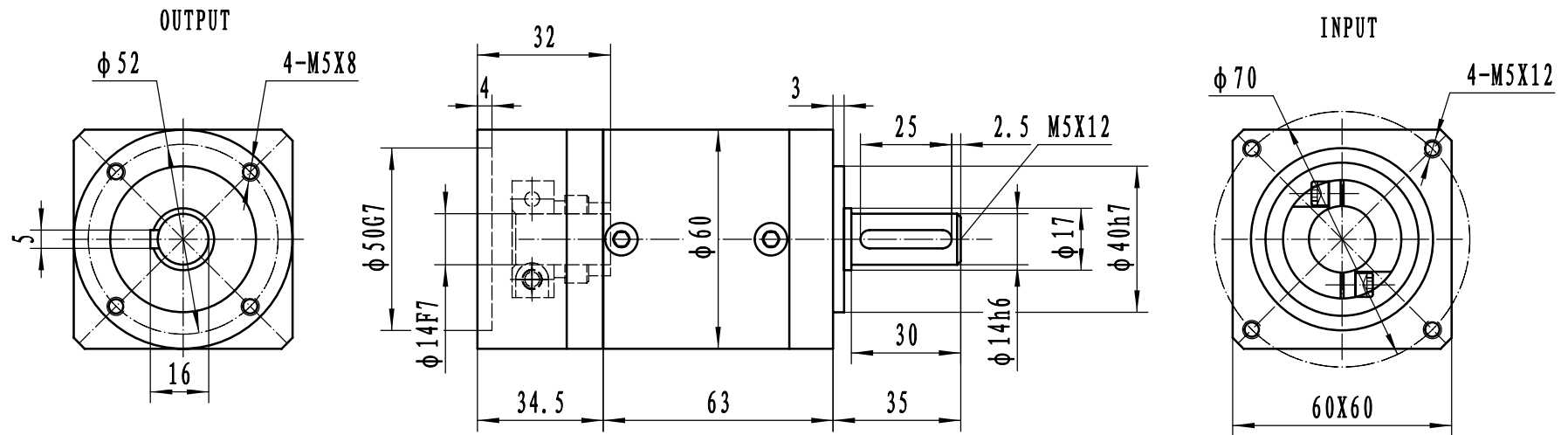


date: Jan2014

Title:
Planetary Gearbox

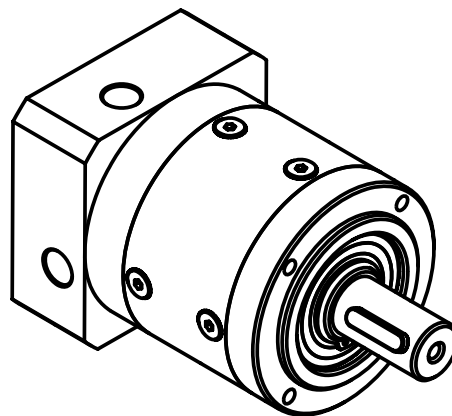
Model:
TPG60-L2-25

SERVO TECH Middle East Co. Ltd.



Technical Specification:

- 1- reduction ratio=32
- 2- rated output torque=40N.M
- 3- maximum output torque=80N.M
- 4- rated input speed=4000 rpm
- 5- maximum input speed=8000 rpm
- 6- Backlash: ≤ 14 arcmin
- 7- Running noise: ≤ 58 dB

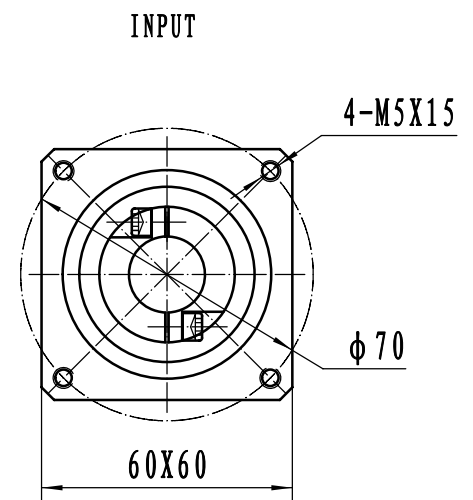
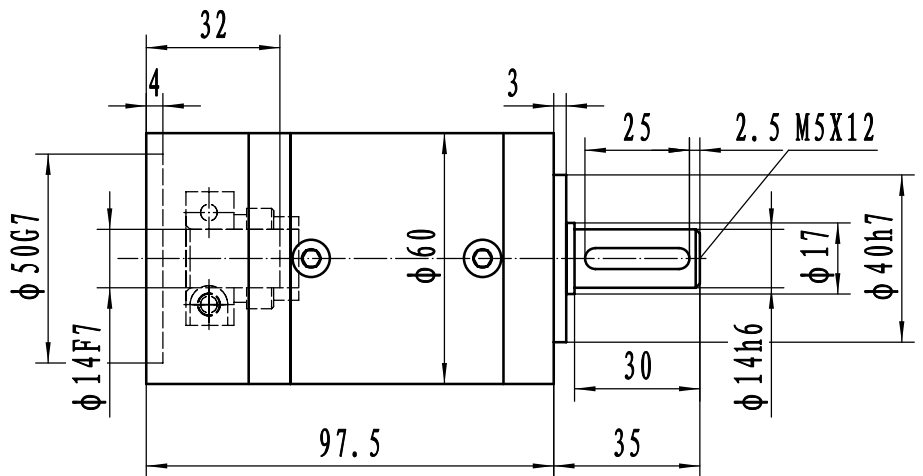
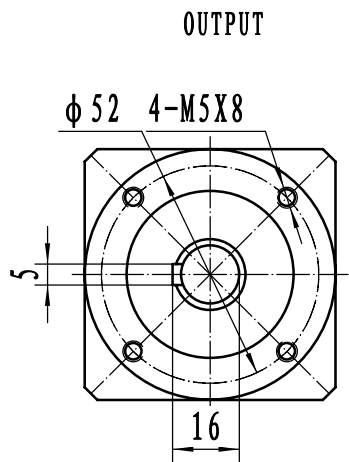


date: Jan2014

Title:
Planetary Gearbox

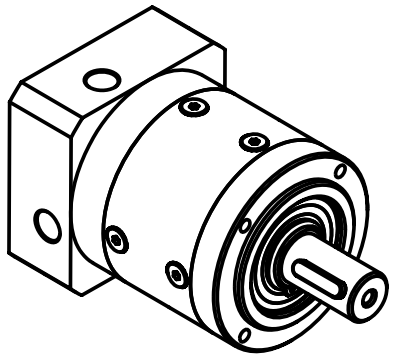
Model:
TPG60-L2-32

SERVO TECH Middle East Co. Ltd.



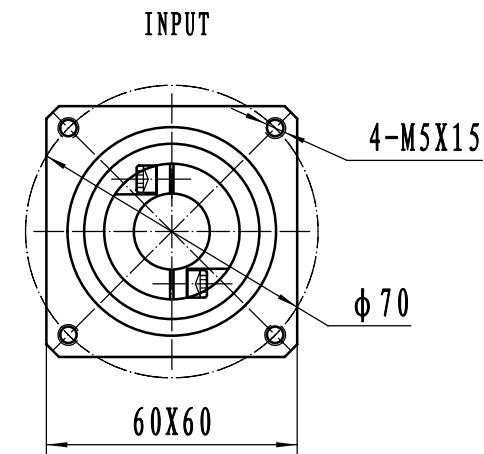
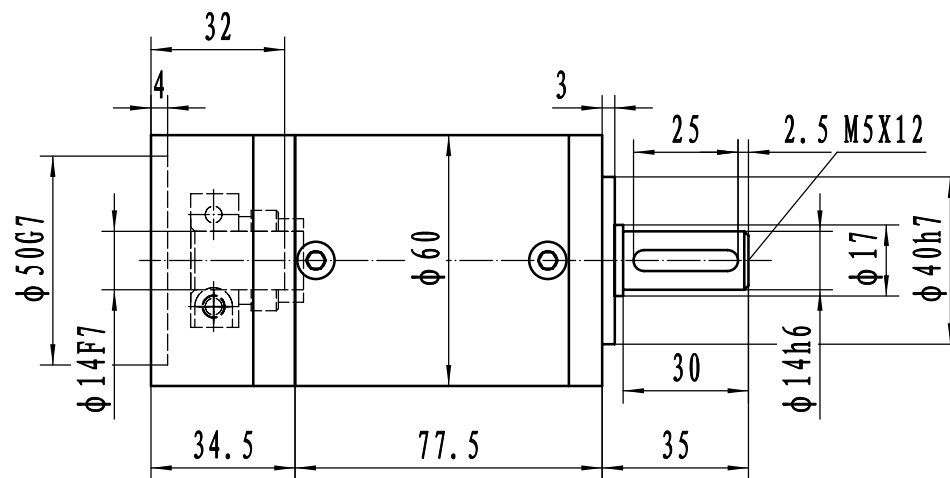
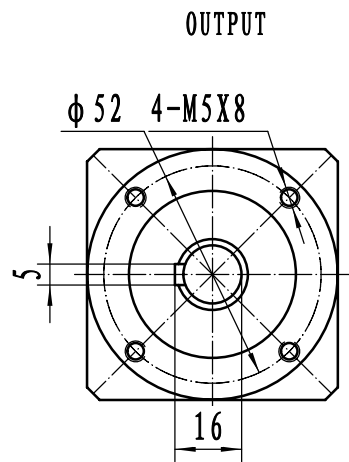
Technical Specification:

- 1- reduction ratio=40
- 2- rated output torque=36N.M
- 3- maximum output torque=72N.M
- 4- rated input speed=4000 rpm
- 5- maximum input speed=8000 rpm
- 6- Backlash: <14arcmin
- 7- Running noise: <58dB



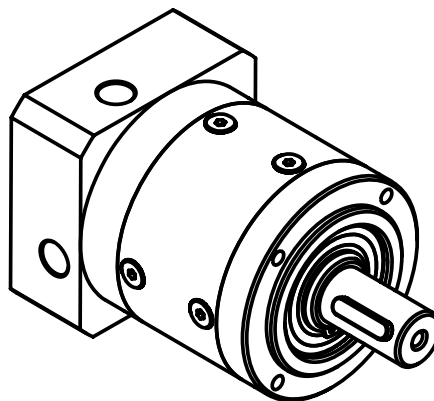
Title: Planetary Gearbox
Model: TPG60-L2-40
SERVO TECH Middle East Co. Ltd.

date: Jan2014



Technical Specification:

- 1- reduction ratio=64
- 2- rated output torque=40N.M
- 3- maximum output torque=80N.M
- 4- rated input speed=4000 rpm
- 5- maximum input speed=8000 rpm
- 6- Backlash: ≤ 18 arcmin
- 7- Running noise: ≤ 58 dB

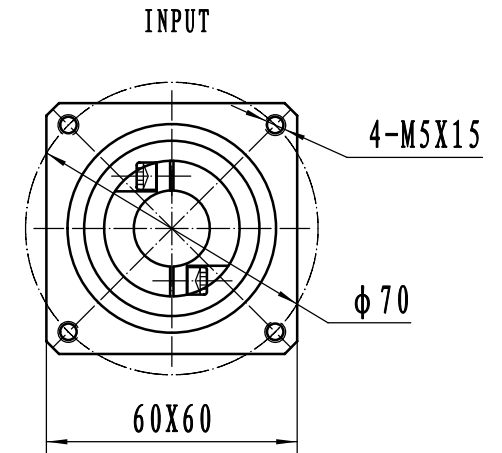
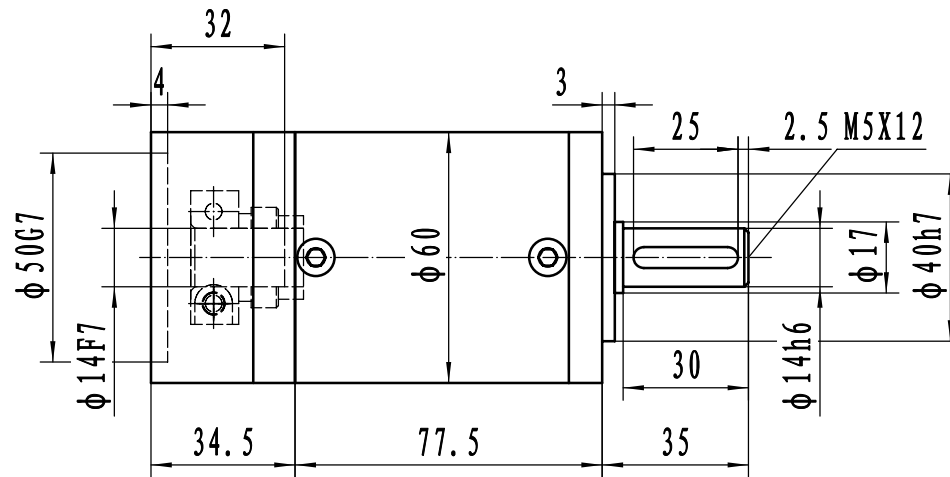
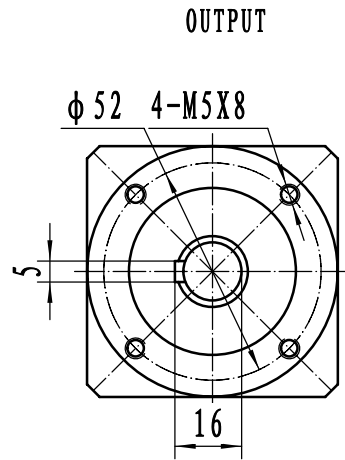


Title:
Planetary Gearbox

Model:
TPG60-L3-64

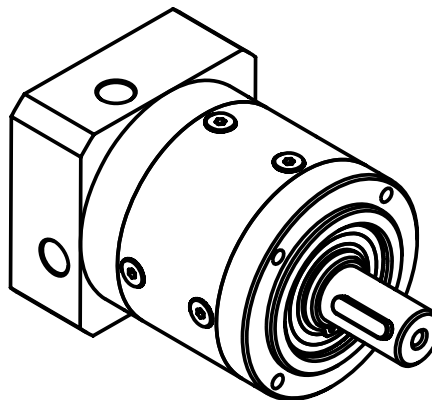
SERVO TECH Middle East Co. Ltd.

date: Jan2014



Technical Specification:

- 1- reduction ratio=80
- 2- rated output torque=40N.M
- 3- maximum output torque=80N.M
- 4- rated input speed=4000 rpm
- 5- maximum input speed=8000 rpm
- 6- Backlash: ≤ 18 arcmin
- 7- Running noise: ≤ 58 dB

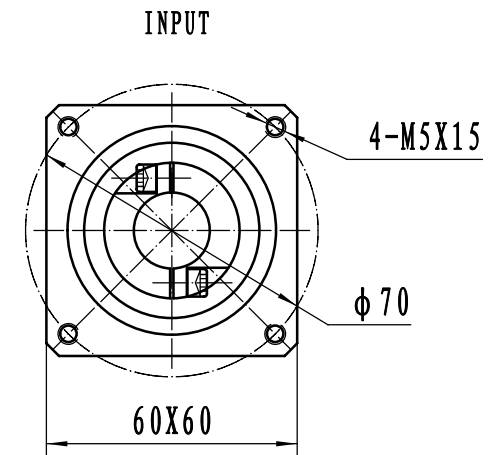
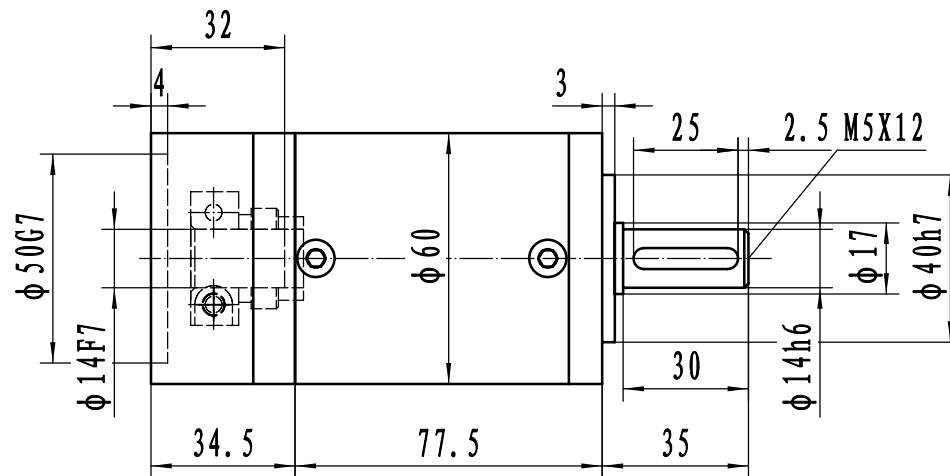
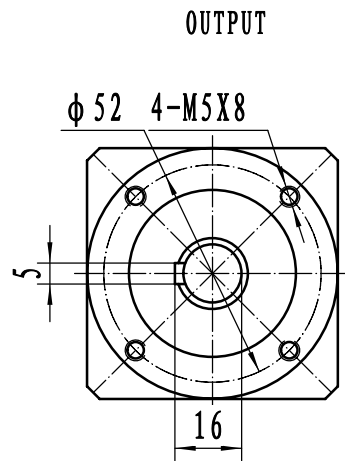


Title:
Planetary Gearbox

Model:
TPG60-L3-80

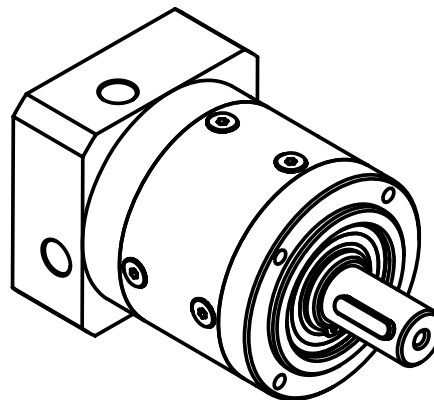
SERVO TECH Middle East Co. Ltd.

date: Jan2014



Technical Specification:

- 1- reduction ratio=100
- 2- rated output torque=40N.M
- 3- maximum output torque=80N.M
- 4- rated input speed=4000 rpm
- 5- maximum input speed=8000 rpm
- 6- Backlash: ≤ 18 arcmin
- 7- Running noise: ≤ 58 dB



date: Jan2014

Title:
Planetary Gearbox

Model:
TPG60-L3-100

SERVO TECH Middle East Co. Ltd.